



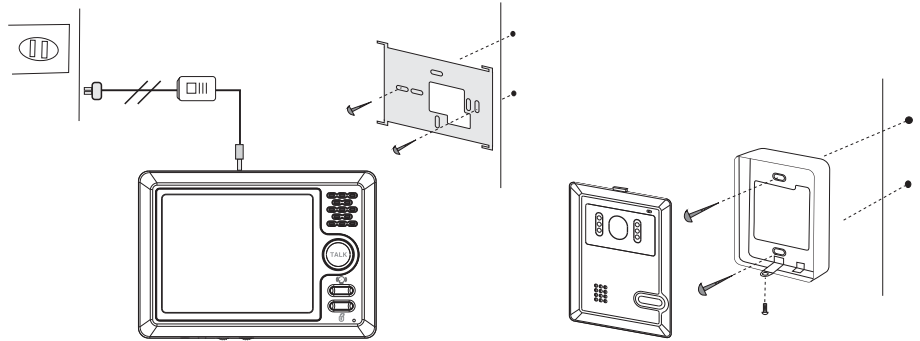
DB300 Video Intercom System

The ideal solution for residential, commercial or industrial security entry monitoring. This unit provides visual and hands free intercom communication using a colour indoor video monitor to a strategically placed outdoor high resolution camera unit with audio output. Visual identification and monitoring can be made with or without audio communication and entry access is controlled at the monitor. The panic alarm feature provides a loud external alarm in threatening instances. The DB300 is a simple 2 wire installation which can easily be expanded to multiple units.



Features

- ▶ High resolution
- ▶ 5.0" Colour TFT-LCD
- ▶ Hands free two way intercom
- ▶ Door strike control
- ▶ Exterior panic alarm feature
- ▶ Auxiliary video and audio outputs
- ▶ Super slim weather proof design
- ▶ Adjustable camera angle
- ▶ Infrared illumination for night vision
- ▶ Surface-mount installation



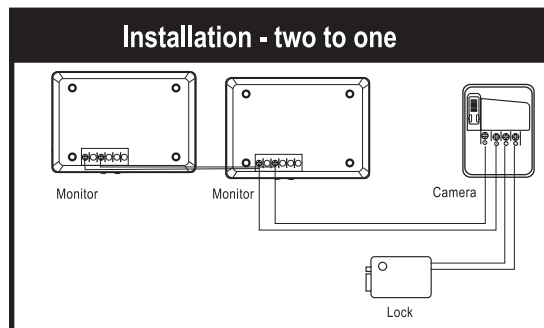
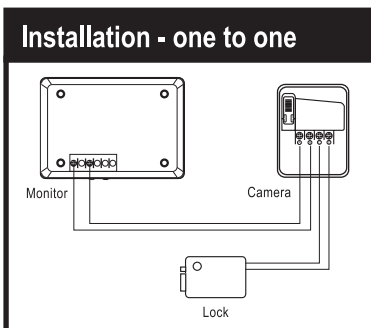
Surface mount installation

Specifications - Monitor

Power Supply:	DC16V
Power Consumption:	Approx. 10W in operation; 0.5W in standby
Operation Temperature:	-15°C~+50°C
Conversation System:	Bi-directional conversation through the receiver
Calling Tone:	Ringling chime
Conversation Time:	Automatic cut off after 1 minute
Scanning Frequency:	Horizontal: 15.625KHz Vertical: 50HZ
Dimension:	185mm (L) x 130mm (W) x 27mm (H)
Weight:	
Warranty:	

Specifications - Camera

Power Supply:	DC12V, 0.25A (supplied by the monitor)
Power Consumption:	Approx. 2.0W in operation
Operation Temperature:	-15°C~+50°C
Picture Sensor:	1/4" lens
Imagery Angle:	Diagonal: approx. 53°
Minimum Lighting:	0.1 lux for 30cm
Lighting:	Infrared Illuminator
Dimension:	120mm (L) x 88mm (W) x 34mm (H)
Weight:	
Warranty:	



Simple 2 wire installation. Units can be connected in sequence.

Order Information

Order: DBFC-300A
10 Pack, Box

Pathfinder Technologies Inc.
3575 14th Ave., Unit #8
Markham, Ontario Canada
L3R 0H6
Tel: 905-948-9638 Fax: 905-948-8307
info@pathfindertech.ca www.pathfindertech.ca